

POWER YOUR FUTURE

Cummins Generator LG460C

QSK19-G12

Prime Power: 460KW/575KVA

Standby Power: 510KW/633KVA



GENERATING POWER SOLUTIONS

Increased availability for new operations

Reliable, robust and versatile generator.
Ready to deliver power for a next job.

Increased uptime during operations

Once installed on the end-user-site, the generator will be ready to run: "peace of mind" operation.

Reduced transport and installation costs

The compact and robust design with integrated transport features enables faster and safer transport and installation.

Reduced service & maintenance costs

Longer service intervals.
Quicker and more efficient service jobs.

Premium resale value

Designed and built to last.

SAFETY

- Operate safely in accordance with proper operation manual.
- To prevent trouble and accidents, perform daily and preventive maintenance checks without fail.

Cummins Series

25KVA--2000KVA



FUAN LONGKAI POWER CO.,LTD.

Headquarters:

Add: Wei 5 Road, Tiehu Industrial Zone, Fuan, Fujian, China

Tel: +86-0593-6309773 Fax: +86-0593-6586988

E-mail: sales@longkaipower.com

Web: www.longkaipower.com

Technical Data

Model	LG460C	
Rated prime power	kva	575
Rated standard power	kva	633
Rated voltage line to line	V	400/230
Rated current	A	830
Maximun sound level	dB(@7m)	≤100

Engine-DCEC Cummins

Model	QSK19-G12	
Aspiration	Four-stroke, in-line, six-cylinder	
Fuel system	PT(G)-EFC	
No. cylinders	6 in line	
Displacement	Liquid	19
Bore*Stroke	mm	159*159
Compression ratio	13.9:1	
Rated speed	r/min	1500
Rated net power(with fan)	Kw	503
Governor type	EFC Electrical	
Start Motor	V	24

Exhaust System

Exhaust gas flow	L/s	
Exhaust gas temp	°C	
Max back pressure	kPa	10

Aspiration System

Max inlet pressure	kPa	100
Combustion volume	L/s	6.23
Air flow	L/s	623

Fuel System

100% load(Prime power)	Kg/h	
75% load(Prime power)	Kg/h	
50% load(Prime power)	Kg/h	
Fuel tank capacity	L	950

Lubrication System

Oil capacity	L	50
Oil consumption	g/kwh	0.85
Oil pressure	kPa	345-483
(continuous operation)		

Cooling System

Coolant capacity	L	26.5
Thermostat operation range	°C	82-93
Max water temperature	°C	104

Alternator

Model	LONGKAI	LK544E
	STAMFORD	HCI544E-S5L1D-E4/S5L1S-E4
Phase	3	
Voltage	V	400/230
Wiring Type	3 Phase 4 wire, Y type	
Bearing	1	
Power factor	0.8	
Frequency	Hz	50
Prime power	KW	488
Exciter Type	Brushless, self-excitation	
Voltage regulation	%	±0.5
Protection Grade	IP 23	
Insulation grade	H/H	
Altitude	m	≤1000

Controller-DEEPSEA

Model	DSE6120MK3
-------	------------

Protective functions:

- Low oil pressure
- High water temperature
- High/low voltage
- High Engine Temperature and Overspeed.
- Voltage regulator frequency regulator
- Emergency stop
- Start failure



Control Module Options



- Auto generator control module
- Control module with "Three Remote Control" functions
- ATS auto load transfer screen
- Synchronising control modules
- Power output cabinet

Standard Features

- Engine(CCEC Cummins)
- Radiator 50°C max,fans are driven by bel
- 24V charge alternator
- Alternator: single bearing alternator IP23, insulation class H/H
- Standard auto control system
- One set of air filter, fuel filter, oil filter
- Main line circuit breaker/MCCB
- Base fuel tank
- Two 24V batteries, rac and cable
- Exhaust system(Ripple flex exhaust pipe, exhaust siphon, flange, muffler)
- User manual

Options

- Battery charge
 - Engine heater
 - Alternator heater
 - PMG
 - Water oil separator
 - Daily fuel tank
 - Remote control panel
 - Automatic transfer switch/ATS
 - Switch box
- Standard: ● Options:○

Warranty*

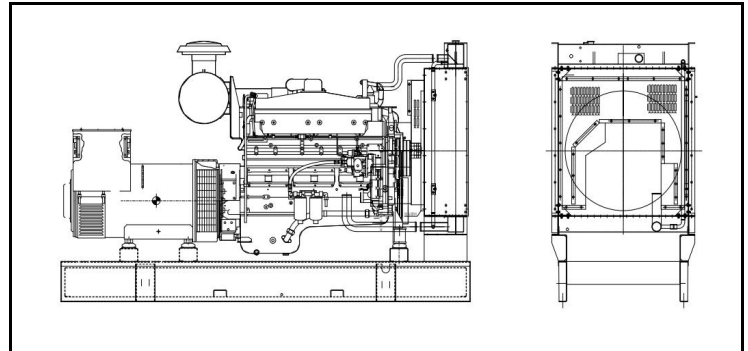
Cummins Engine

12 months from date of purchase and 1000 hours.

Generator

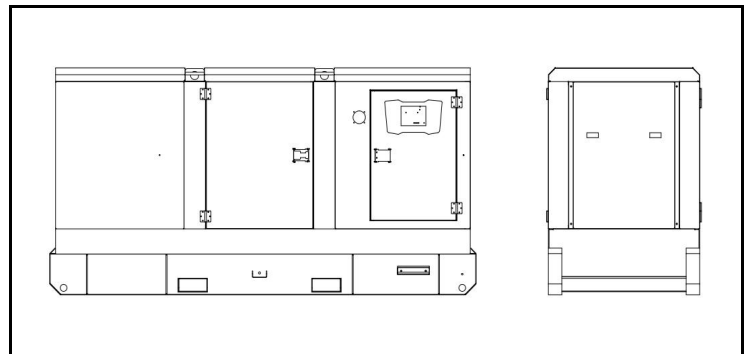
12 months from date of purchase or 1000 hours (whichever occurs first).

Unit Dimensions(Basic unit)



Open Type

L*W*H	mm	3500*1525*2220
Weight	kg	4100



Silent Type

L*W*H	mm	4680*1850*2550
Weight	kg	5300