

POWER YOUR FUTURE

SDEC Generator
LG320SD

6ETA12.8-G32

Prime Power: 320KW/400KVA

Standby Power: 350KW/440KVA



GENERATING POWER SOLUTIONS

Increased availability for new operations

Reliable, robust and versatile generator.
Ready to deliver power for a next job.

Increased uptime during operations

Once installed on the end-user-site, the generator will be ready to run: "peace of mind" operation.

Reduced transport and installation costs

The compact and robust design with integrated transport features enables faster and safer transport and installation.

Reduced service & maintenance costs

Longer service intervals.
Quicker and more efficient service jobs.

Premium resale value

Designed and built to last.

SAFETY

- Operate safely in accordance with proper operation manual.
- To prevent trouble and accidents, perform daily and preventive maintenance checks without fail.

SDEC Series

28KVA--1000KVA



FUAN LONGKAI POWER CO.,LTD.

Headquarters:

Add: Wei 5 Road, Tiehu Industrial Zone, Fuan, Fujian, China

Tel: +86-0593-6309773 Fax: +86-0593-6586988

E-mail: sales@longkaipower.com

Web: www.longkaipower.com

Technical Data

Model		LG320SD
Rated prime power	kva	400
Rated standard power	kva	440
Rated voltage line to line	V	400/230
Rated current	A	577
Maximun sound level	dB(@7m)	100

Engine-SDEC

Model		6ETAA12.8-G32
Aspiration	Inline, four strokes, four valves, water cooled, pressurized air cooled	
Fuel system	BOSCH	
No. cylinders	6in line	
Displacement	Liquid	12.8
Bore*Stroke	mm	130× 161 mm
Compression ratio	17:1	
Rated speed	r/min	1500
Rated net power(with fan)	Kw	360
Governor type	ECU	
Start Motor	V	24V×5.5kW

Exhaust System

Exhaust gas flow	m ³ /min	79.4
Exhaust gas temp	°C	600
Max back pressure	kPa	10

Aspiration System

Max inlet pressure	kPa	6
Air flow	m ³ /min	28.3
Fan consumption	KW	15

Fuel System

100% load(Prime power)	L/h	96.1
75% load(Prime power)	L/h	70.3
50% load(Prime power)	L/h	45.0
Fuel tank capacity	L	780

Lubrication System

Oil capacity	L	36
Oil consumption	g/kwh	≤4
Lub. Method	/	
(continuous operation)		

Cooling System

Coolant capacity	L	23
Thermostat operation range	°C	85-95
Max water temperature	°C	104

Alternator

Model	LONGKAI	LK444F
	STAMFORD	HCI444F
Phase	3	
Voltage	V	400/230
Wiring Type	3 Phase 4 wire, Y type	
Bearing	1	
Power factor	0.8	
Frequency	Hz	50
Prime power	KW	320
Exciter Type	Brushless, self-excitation	
Voltage regulation	%	±0.5
Protection Grade	IP 23	
Insulation grade	H/H	
Altitude	m	≤1000

Controller-DEESEA

Model	DSE6120MK3
-------	------------

Protective functions:

- Low oil pressure
- High water temperature
- High/low voltage
- High Engine Temperature and Overspeed.
- Voltage regulator frequency regulator
- Emergency stop
- Start failure



Control Module Options



- Auto generator control module
- Control module with " Three Remote Control" functions
- ATS auto load transfer screen
- Synchronising control modules
- Power output cabinet

Standard Features

- Engine(SDEC)
- Radiator 50°C max,fans are driven by bel
- 24V charge alternator
- Alternator: single bearing alternator IP23, insulation class H/H
- Standard auto control system
- One set of air filter, fuel filter, oil filter
- Main line circuit breaker/MCCB
- Base fuel tank
- Two 24V batteries, rac and cable
- Exhaust system(Ripple flex exhaust pipe, exhaust siphon, flange, muffler)
- User manual

Options

- Battery charge
- Engine heater
- Alternator heater
- PMG
- Water oil separator
- Daily fuel tank
- Remote control panel
- Automatic transfer switch/ATS
- Switch box
- Standard: ● Options:○

Warranty*

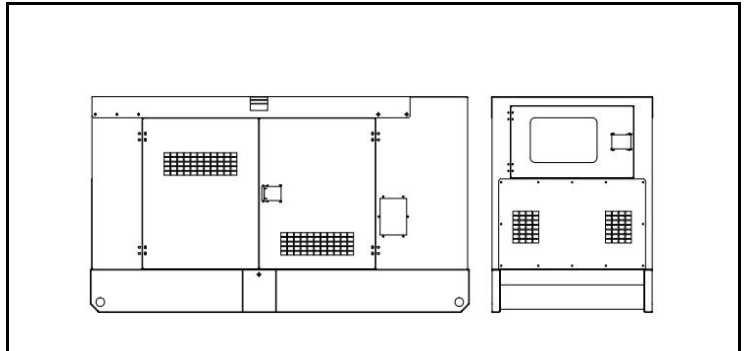
SDEC Engine

24 months from date of purchase and 3000 hours.

Generator

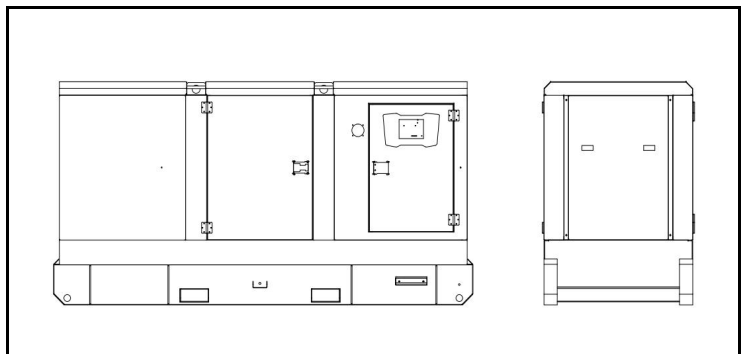
12 months from date of purchase or 1000 hours (whichever occurs first).

Unit Dimensions(Basic unit)



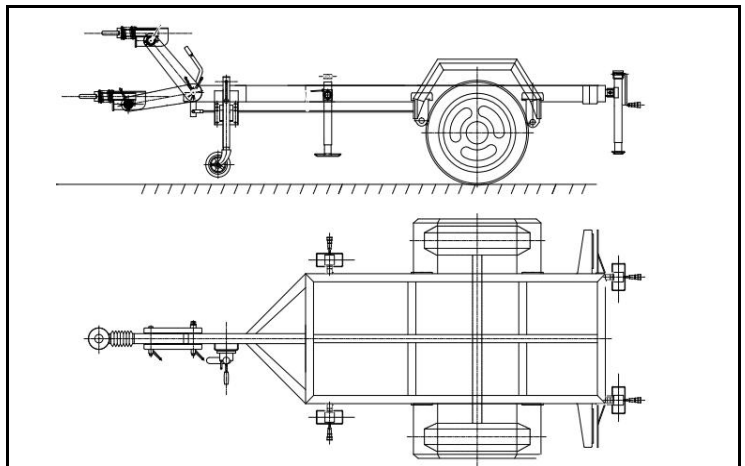
Denyo Silent Type

L*W*H	mm	3100*1100*1800
Weight	kg	3350



Atlas Silent Type

L*W*H	mm	4588*1600*2500
Weight	kg	4900



Trailer Option

L*W*H	mm	4900*2100*950
Max loading weight	kg	3300